

GUARNIZIONI PRINCIPALI / KIT - MAIN GASKETS / SET










MOTORE / ENGINE: DC16

Dati tecnici: / Technical data:

N° Cyl: 8 V
 Ø 127.00 mm
 500-580 HP
 Cilindrata/Capacity: 15600
 Turbo Intercooler

Montato su: / Fitting on:

164

Denominazione articolo Item		LE.MA ref.	Adattabile a: Suitable for:	Notes	Q.ty/ vehicle	Illustrazione Illustration
SERIE GUARNIZIONI MOTORE ENGINE GASKETS SET						
COMPLETA con TC + PARAOLI FULL with CHG + OIL SEALS		<u>44107.20</u>	551387	Mot. → 1018724 SSS	1	
SMERIGLIATURA con TC CYL. HEAD GASKET SET with CHG		<u>47105.07</u>	550469	Mot. → 1018724 SSS	8	
SMERIGLIATURA con TC CYL. HEAD GASKET SET with CHG		<u>47105.16</u>	1725112	Mot. 1018725 SSS →	8	
SERIE OR CANNE CILINDRI SET OF O-RINGS FOR CYL. LINERS		<u>87020.15</u>			8	
TESTA CILINDRI CYLINDER HEAD GASKET (CHG)		<u>10955.10</u>	1468555		8	
COPERCHIO VALVOLE VALVES COVER		<u>20951.06</u>	1542104	Inferiore/Lower Mot. → 1018724 SSS	8	
VALVES COVER		<u>20951.04</u>	1449542	Inferiore/Lower Mot. 1018725 SSS →	8	
COPERCHIO VALVOLE VALVES COVER		<u>20941.06</u>	1505366	Superiore/Upper Mot. → 1018724 SSS	8	
COPERCHIO VALVOLE VALVES COVER		<u>20951.08</u>	1411851	Superiore/Upper Mot. 1018725 SSS →	8	

GUARNIZIONI PRINCIPALI / KIT - MAIN GASKETS / SET








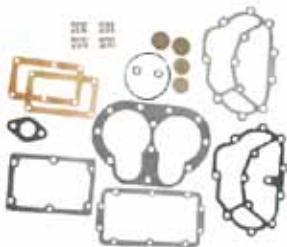


MOTORE / ENGINE: DC16

Dati tecnici: / Technical data:

N° Cyl: 8 V
 Ø 127.00 mm
 500-580 HP
 Cilindrata/Capacity: 15600
 Turbo Intercooler

Montato su: / Fitting on:

164

Denominazione articolo Item	LE.MA ref.	Adattabile a: Suitable for:	Notes	Q.ty/ vehicle	Illustrazione Illustration
COLLETTORE ASPIRAZIONE INTAKE MANIFOLD	21302.13	1374340	1°T	16	
COLLETTORE ASPIRAZIONE INTAKE MANIFOLD	21302.15	1516474	2°T	6	
COLLETTORE SCARICO EXHAUST MANIFOLD	21950.05	1309051		8	
TUBAZIONE DI SCARICO EXHAUST PIPE	21949.00	387775		1	
ENTRATA ARIA TURBINA TURBOCHARGER AIR INLET	21854.00	139616		1	
USCITA ARIA TURBINA TURBOCHARGER AIR OUTLET	21857.00	222499		1	
COPPA OLIO OIL PAN	25650.10	1744775		1	
SERIE GUARNIZIONI COMPRESSORE AIR COMPRESSOR SET BENDIX con LAMELLE LE.MA - senza PIASTRA with LE.MA VALVES - without PLATE	27990.00	1374083		1	
SERIE GUARN. TURBOCOMPRESSORE TURBOCHARGER GASKETS SET senza PRIGIONIERI / without STUDS	21795.00	551494		1	
SERIE IMPIANTO OLIO OIL SYSTEM SET REVISIONE SCAMBIATORE HEAT EXCHANGER OVERHAUL	70210.15			1	

GUARNIZIONI PRINCIPALI / KIT - MAIN GASKETS / SET



MOTORE / ENGINE: DC16

Dati tecnici: / Technical data:

N° Cyl: 8 V
 Ø 127.00 mm
 500-580 HP
 Cilindrata/Capacity: 15600
 Turbo Intercooler














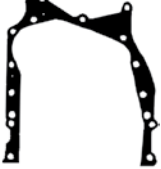
Montato su: / Fitting on:

164

Denominazione articolo Item	LE.MA ref.	Adattabile a: Suitable for:	Notes	Q.ty/ vehicle	Illustrazione Illustration
SERIE GUARNIZIONI CAMBIO GEARBOX GASKETS SET					
con PARAOLI / with OIL SEALS	61100.00		GS771/GS772 GR/GRE870 - GR/GRE871 GR/GRH880	1	
con PARAOLI / with OIL SEALS (Anteriore / Front)	61105.00	550520 550535 550537 550538	G/GS770-GS771-GS772 GH774-GR/GRE870 GR/GRE871-GR/GRH880	1	
con PARAOLI / with OIL SEALS (Posteriore / Rear)	61110.00	550527 550532 550533 550534 550536	G/GS770-GS771-GS772 GH774-G776-G777 GR/GRE870-GR/GRE871 GR/GRH880	1	
senza PARAOLI / without OIL SEALS	61120.00	550577 550578	GR801-GR890-GRS890R GR900-GR900R-GRH900 GRS900-GRS900R	1	
SERIE OR / KIT OR	73200.00 73200.05		Ridotte/Range - GRS900 Mezze marce/Splitter GRS900	2 1	
PARAOLI / OIL SEALS					
GUIDA VALVOLE / VALVES STEM	1001210B1VI	1328563	10x12.8/16.2x9.5	32	
ANTERIORE MOTORE FRONT CRANKSHAFT	01016688		120x140x13	1	
POSTERIORE MOTORE REAR CRANKSHAFT	15026917	1433183	145x175x13	1	
TERMOSTATI / THERMOSTATS	425275 425283 425288	1404924 1423450	75 °C (no rallentatore / no retarder) 83 °C (no rallentatore / no retarder) 88 °C (no rallentatore / no retarder)	1 1 1	
TERMOSTATI / THERMOSTATS	425180	1404925	80 °C (rallentatore / retarder)	1	

94.....(Mot. DSC9-DSI9-DC9)
 114..... (Mot. DC11-DSC11)
 124.....(Mot. DSC12-DTC12-DC12-DT12)
 144..... (Mot. DSC14 13/15-DTC14)
 164..... (Mot. DC16)

P-, R-, T- Series.....(Mot. D9-D11-D12-D16)
 Bus K94-L94-N94 (Mot. DSC9-DSI9-DC9)
 Bus K114..... (Mot. DC11)
 Bus K124..... (Mot. DSC12-DTC12-DC12-DT12)

LE.MA ref.	adattabile a suitable for	Illustrazione / Illustration	LE.MA ref.	adattabile a suitable for	Illustrazione / Illustration
SERIE / SET					
28070.20	1422564		21854.00	139616	
Serie OR revisione iniettori Set of o-rings, injectors, overhaul 4-Series			Attacco entrata aria turbina Turbocharger, air inlet 1x / 144		
MONOBLOCCO / CRANKCASE					
20935.00	249928		21857.10	1374342	
Gommino portainiettori (viton) Nozzle holder, rubber washer (FPM) 1°T - VERDE / GREEN 6x / 94 / Bus (DSC9) - 114 / Bus 8x / 144			Attacco collettore aspirazione a tubazione intercooler Intercooler pipe, connection to intake manifold 1x / 114 / Bus (DSC11) 1x / 124 / Bus (DSC12 01/02)		
20936.00	383917		21857.13	1390211	
Gommino portainiettori (viton) Nozzle holder, rubber washer (FPM) 2°T - MARRONE / BROWN 8x / 144			Attacco collettore aspirazione a tubazione intercooler Intercooler pipe, connection to intake manifold 1x / 94 (DC9 19/20/21) - 114 / Bus (DC11) 1x / 124 / Bus (DSC12 01/03/05-DC12-DT12) 1x / P-, R-, T- Series (DC9-D11/12) 1x / Bus K94 (iniett./injector PDE)		
20937.00	250608		22600.00	1326020	
Gommino copribullone testata Cylinder head, bolt rubber cap 8x / 144			Coperchio distribuzione Timing system casing, cover 1x / 144		
20943.00	1302827		22600.03	1412878	
Anello di tenuta infer. canna cilindro (viton) Cylinder liner, lower sealing ring (FPM) 6x / 94 / Bus (DSC9-DC9 01/02/03/04/05/06)			Coperchio distribuzione Timing system casing, cover 1x / 164 1x / P-, R-, T- Series (D16)		
20955.00	1302828		22600.07	1388680	
Anello di tenuta infer. canna cilindro (viton) Cylinder liner, lower sealing ring (FPM) VERDE / GREEN 6x / 114 / Bus (DSC11) 8x / 144			Coperchio coperchio distribuzione Timing system casing, cover 1x / 114 / Bus (DSC11)		
21410.05	1420501		22600.10	1388681	
Gommino bullone coperchio bilancieri Cylinder head, bolt rubber cap 6x / 94 / Bus (DC9-DSI9-DSC9)			Scatola distribuzione Timing system casing, box 1x / 114 / Bus (DSC11)		

Tutti i nostri particolari non sono originali ma con essi intercambiabili. I riferimenti originali, le figure, i modelli sono esposti a semplice titolo indicativo. All original equipment manufacturer numbers, pictures, models and descriptions used in this catalogue are for reference only, and it isn't implied that any parts listed is the product of these manufacturers.

PART 2 ❖ ALTRE GUARNIZIONI / MISCELLANEOUS GASKETS



SCANIA

94.....(Mot. DSC9-DSI9-DC9)
 114..... (Mot. DC11-DSC11)
 124.....(Mot. DSC12-DTC12-DC12-DT12)
 144..... (Mot. DSC14 13/15-DTC14)
 164..... (Mot. DC16)

P-, R-, T- Series..... (Mot. D9-D11-D12-D16)
 Bus K94-L94-N94 (Mot. DSC9-DSI9-DC9)
 Bus K114..... (Mot. DC11)
 Bus K124..... (Mot. DSC12-DTC12-DC12-DT12)

Tutti i nostri particolari non sono originali ma con essi intercambiabili. I riferimenti originali, le figure, i modelli sono esposti a semplice titolo indicativo. All original equipment manufacturer numbers, pictures, models and descriptions used in this catalogue are for reference only, and it isn't implied that any parts listed is the product of these manufacturers.

LE.MA ref.	adattabile a suitable for	Illustrazione / Illustration
22600.20 Attacco campana volano <i>Flywheel housing, connection</i> 1x / 114 / Bus (DSC11)	1388682	
23500.00 Coperchio laterale testa cilindro <i>Cylinder head, lateral cover</i> 8x / 144	1445290	
23505.00 Coperchio laterale basamento <i>Crankcase, lateral cover</i> 2x / 144	1392932	
23505.05 Coperchio laterale basamento <i>Crankcase, lateral cover</i> 2x / 114 / Bus (DSC11)	1384551	
23505.10 Coperchio laterale basamento <i>Crankcase, lateral cover</i> 3x / 114 / Bus (DC11) 3x / 124 / Bus (DSC12-DC12 01/02/09)	1374326	
23505.25 Coperchio laterale basamento <i>Crankcase, lateral cover</i> 2x / 94 / Bus (DSC9-DC9 01/02/03/04/05/06)	1320295	
23510.00 Coperchio posteriore basamento <i>Crankcase, rear cover</i> 1x / 144	1374143	

LE.MA ref.	adattabile a suitable for	Illustrazione / Illustration
23515.00 Attacco campana volano <i>Flywheel housing, connection</i> 1x / 144	1392935	
23515.03 Attacco campana volano <i>Flywheel housing, connection</i> 1x / 164 1x / P-, R-, T- Series (D16)	1505507	IN PREPARAZIONE SOON
23515.05 Attacco campana volano (1°T) <i>Flywheel housing, connection (1°T)</i> 1x / 114 / Bus (DC11) 1x / 124 / Bus (DSC12-DC12)	1374327	
23515.10 Corpo sfiato motore <i>Engine vent, connection</i> 1x / 124 / Bus (DSC12 01/02 1°T)	1374334	
23515.12 Corpo sfiato motore <i>Engine vent, connection</i> 1x / 94 / Bus (DC9 19/20/21) 1x / 114 / Bus (DC11) 1x / 124 / Bus (DSC12 01/02 2°T-DSC12 03/05-DC12-DT12) 1x / P-, R-, T- Series (D9/11/12)	1403129	
23515.14 Attacco tubazione sfiato motore (2°T) <i>Engine vent, pipe connection (2°T)</i> 1x / 114 / Bus 1x / 124 / Bus	1401985	
23515.15 Attacco campana volano <i>Flywheel housing, connection</i> 1x / 94 / Bus (DSC9-DC9 01/02/03/04/05/06)	1539692	

94.....(Mot. DSC9-DSI9-DC9)
 114..... (Mot. DC11-DSC11)
 124.....(Mot. DSC12-DTC12-DC12-DT12)
 144..... (Mot. DSC14 13/15-DTC14)
 164..... (Mot. DC16)

P-, R-, T- Series.....(Mot. D9-D11-D12-D16)
 Bus K94-L94-N94 (Mot. DSC9-DSI9-DC9)
 Bus K114..... (Mot. DC11)
 Bus K124..... (Mot. DSC12-DTC12-DC12-DT12)

LE.MA ref.	adattabile a suitable for	Illustrazione / Illustration
23515.18 Distribuzione Timing system 1x / DSC12	1423290	
23520.00 Coperchio anteriore/posteriore basamento Crankcase, front/rear cover 3x / 144	1392933	
23520.05 Coperchio anteriore testata Crankcase, front cover 1x / 114 / Bus (DC11) 1x / 124 / Bus (D12)	1375387	
23520.10 Coperchio posteriore basamento Crankcase, rear cover 1x / 114 / Bus (DC11) 1x / 124 / Bus (D12)	1374325	
23525.00 Coperchio superiore basamento Crankcase, upper cover 1x / 144	1390735	
IMPIANTO ACQUA / WATER SYSTEM		
24220.00 Tubaz. acqua da laterale testata a radiatore Water pipes, from cylinder head to radiator (lateral side) 2x / 114 / Bus	291826	
24221.15 Attacco pompa acqua (gomma) Water pump, connection (rubber) 1x / 114 / Bus	1388737	

LE.MA ref.	adattabile a suitable for	Illustrazione / Illustration
24222.00 Tubaz. acqua da centrale testata a radiatore Water pipes, from cylinder head to radiator (middle side) 1x / 114 / Bus	1388678	
24230.00 Collettori acqua Water manifolds 8x / 144	1378226	
24232.00 Tubaz. acqua da centrale testata a radiatore Water pipes, from cylinder head to radiator (middle side) 6x / 94 / Bus	366557	
24245.00 Coperchio pompa acqua Water pump, cover 1x / 94 - 114 - 124 - 144 1x / P-, R-, T- Series (D9/11/12) 1x / Bus 4-Series	1541633	
24245.03 Coperchio pompa acqua Water pump, cover 1x / 164 1x / P-, R-, T- Series (D16)	1464464	
24245.05 Coperchio pompa acqua Water pump, cover 1x / 164 1x / P-, R-, T- Series (D16)	1457411	
24245.07 Coperchio pompa acqua Water pump, cover 1x / 164 1x / P-, R-, T- Series (D16)	1498657	

PART 2 ❖ ALTRE GUARNIZIONI / MISCELLANEOUS GASKETS



SCANIA

94.....(Mot. DSC9-DSI9-DC9)
 114..... (Mot. DC11-DSC11)
 124.....(Mot. DSC12-DTC12-DC12-DT12)
 144..... (Mot. DSC14 13/15-DTC14)
 164..... (Mot. DC16)

P-, R-, T- Series..... (Mot. D9-D11-D12-D16)
 Bus K94-L94-N94 (Mot. DSC9-DSI9-DC9)
 Bus K114..... (Mot. DC11)
 Bus K124..... (Mot. DSC12-DTC12-DC12-DT12)






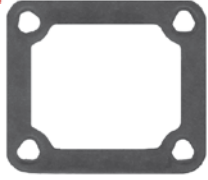

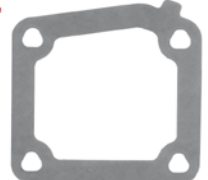






Tutti i nostri particolari non sono originali ma sono intercambiabili. I riferimenti originali, le figure, i modelli sono esposti a semplice titolo indicativo. All original equipment manufacturer numbers, pictures, models and descriptions used in this catalogue are for reference only, and it isn't implied that any parts listed is the product of these manufacturers.








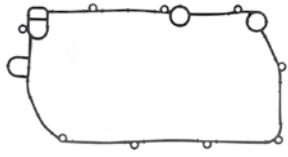

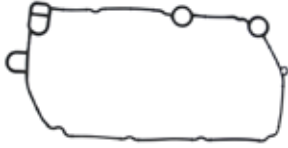




LE.MA ref.	adattabile a suitable for	Illustrazione / Illustration
24246.00 Tubazioni pompa acqua <i>Water pump, piping</i> 1x / 144	1347364	
24246.01 Attacco pompa acqua <i>Water pump, connection</i> 1x / 144	1357243	
24246.05 Attacco pompa acqua <i>Water pump, connection</i> 1x / 94 / Bus (DC9 19/20/21 - 1°T) 1x / 114 / Bus 1x / 124 / Bus 1x / P-, R-, T- Series (D9/11/12)	1403883	
24246.06 Gommino collettore carburante <i>Fule system, rubber seal</i> Sistema iniezione/Injection system PDE 1x / 4-Series	1368061	
24246.07 Gommino collettore carburante <i>Fule system, rubber seal</i> Sistema iniezione/Injection system HPI 1x / 4-Series	1390883	
24246.10 Attacco pompa acqua <i>Water pump, connection</i> 1x / 94 / Bus (DSC9-DC9 01/02/03/04/05/06)	1384468	
24247.00 Attacco filtro acqua <i>Water filter, connection</i> 1x / 114 / Bus 1x / 124 / Bus 1x / 144	1374517	

LE.MA ref.	adattabile a suitable for	Illustrazione / Illustration
24808.10 Gommino termostato <i>Thermostat, rubber seal</i> Con rallentatore/ With retarder 1x / 4-Series 1x / P-, R-, T- Series 1x / Bus 4-Series	1351075	
24808.20 Gommino termostato <i>Thermostat, rubber seal</i> NO rallentatore/ NO retarder 1x / 94-114-124-144 1x / P-, R-, T- Series (D9-D11-D12)	1421825	
24960.05 Attacco corpo portatermostato <i>Thermostat housing, connection</i> NO rallentatore/ NO retarder 1x / 94 - 114 / Bus - 124 / Bus 1x / P-, R-, T- Series (D9/11/12) 1x / Bus K94 (iniett./injector PDE)	1374333	
24970.05 Tubazione acqua radiatore <i>Radiator, water pipes</i> 1x / 114 / Bus 1x / 124 / Bus	1493816	
IMPIANTO OLIO / OIL SYSTEM		
25602.00 Tubo entrata olio nella coppa <i>Oil filler pipe, connection to oil pan</i> 2x / 94 (DSC9 - 1°T) - 114 / Bus (DSC11 - 1°T) 2x / 144	1320292	
26010.10 Gommino passaggio olio compressore <i>Air compress., oil piping rubber washer</i> 1x / 4-Series - P-, R-, T- Series (D11/12) 1x / Bus 4-Series Gommino passaggio olio pompa iniezione <i>Injection pump, oil piping rubber washer</i> 1x / 144	345083	
26271.30 Kit filtro sfiatatoi motore <i>Engine vent, filter set</i> 164 (D16-DC16) P-, R-, T- Series (D16-DC16)	1486634	

94.....(Mot. DSC9-DSI9-DC9)
 114..... (Mot. DC11-DSC11)
 124.....(Mot. DSC12-DTC12-DC12-DT12)
 144..... (Mot. DSC14 13/15-DTC14)
 164..... (Mot. DC16)

P-, R-, T- Series.....(Mot. D9-D11-D12-D16)
 Bus K94-L94-N94 (Mot. DSC9-DSI9-DC9)
 Bus K114..... (Mot. DC11)
 Bus K124..... (Mot. DSC12-DTC12-DC12-DT12)

LE.MA ref.	adattabile a suitable for	Illustrazione / Illustration
26294.00 Tubazione olio turbina (inferiore) <i>Turbocharger, oil pipe (lower)</i> 1x / 144 - 164 1x / P-, R-, T- Series (D16)	1392930	 
26294.05 Tubazioni olio turbina <i>Turbocharger, oil piping</i> 2x / 94 / Bus - 114 / Bus - 124 / Bus 2x / P-, R-, T- Series (D9/11/12)	1511652	 
26294.10 Tubo entrata olio nella coppa (1°T) <i>Oil filler pipe, connection to oil pan (1°T)</i> 1x / 114 (DC11 - 1°T) - 124	1374330	 
26294.15 Tubo entrata olio nella coppa (2°T) <i>Oil filler pipe, connection to oil pan (2°T)</i> 1x / 94 / Bus 1x / 114 / Bus (DC11 - 2°T) 1x / 124 / Bus 1x / 144 - 164 1x / P-, R-, T- Series	1510331	 
26400.00 Attacco bilancieri testata (acciaio) <i>Cylinder head, rocker arm connection (steel)</i> 16x / 144	388422	 
26404.00 Attacco ciclone (superiore) <i>Centrifugal oil cleaner, cyclone (upper)</i> 1x / 94 / Bus (DSC9-DC9 01/02/03/04/05/06) 1x / 114 (DSC11)	1392196	 
26408.00 Attacco ciclone (laterale) <i>Centrifugal oil cleaner, cyclone (lateral)</i> 1x / 114 / Bus (DSC11)	1384872	 

LE.MA ref.	adattabile a suitable for	Illustrazione / Illustration
26413.00 Attacco scambiatore di calore <i>Heat exchanger, connection</i> 1x / 144	1349188	 
26413.05 Coperchio laterale basamento <i>Crankcase, lateral cover</i> 2x / 114 / Bus (DC11) 2x / 124 / Bus (D12) 2x / 164 2x / P-, R-, T- Series (D11/12/16)	1375383	 
26413.09 Attacco scambiatore di calore (3°T) <i>Heat exchanger, connection (3°T)</i> 1x / 94 / Bus (DC9 19/20/21) 1x / 114 / Bus (DC11) 1x / 124 / Bus (D12) 1x / P-, R-, T- Series (D9/11/12)	1746135	 
26413.10 Attacco scambiatore di calore (1°T) <i>Heat exchanger, connection (1°T)</i> 1x / 114 / Bus (DC11) 1x / 124 / Bus	1349497	 
26413.11 Attacco scambiatore di calore (2°T) <i>Heat exchanger, connection (2°T)</i> 1x / 94 / Bus (DC9 19/20/21) 1x / 114 / Bus (DC11) 1x / 124 / Bus (D12) 1x / P-, R-, T- Series (D9/11/12)	1502798	 
26413.12 Gommino scambiatore di calore (viton) <i>Heat exchanger, rubber washer (FPM)</i> 2x / 94 / Bus 2x / 114 / Bus 2x / 124 / Bus 2x / 164 2x / P-, R-, T- Series	1484765	 
26413.13 Gommino scambiatore di calore <i>Heat exchanger, rubber washer</i> 2x / 94 / Bus 2x / 114 / Bus 2x / 124 / Bus 2x / 164 2x / P-, R-, T- Series	1484766	 

PART 2 ❖ ALTRE GUARNIZIONI / MISCELLANEOUS GASKETS














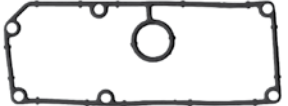





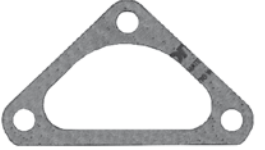










SCANIA

94.....(Mot. DSC9-DSI9-DC9)
114..... (Mot. DC11-DSC11)
124.....(Mot. DSC12-DTC12-DC12-DT12)
144..... (Mot. DSC14 13/15-DTC14)
164..... (Mot. DC16)

P-, R-, T- Series..... (Mot. D9-D11-D12-D16)
Bus K94-L94-N94 (Mot. DSC9-DSI9-DC9)
Bus K114..... (Mot. DC11)
Bus K124..... (Mot. DSC12-DTC12-DC12-DT12)

Tutti i nostri particolari non sono originali ma con essi intercambiabili. I riferimenti originali, le figure, i modelli sono esposti a semplice titolo indicativo. All original equipment manufacturer numbers, pictures, models and descriptions used in this catalogue are for reference only, and it isn't implied that any parts listed is the product of these manufacturers.

LE.MA ref.	adattabile a suitable for	Illustrazione / Illustration
26413.15 Attacco scambiatore di calore <i>Heat exchanger, connection</i> 1x / 94 / Bus 1x / 114 / Bus 1x / 124 / Bus 1x / 164 1x / P-, R-, T- Series	1391726	 
26413.20 Attacco scambiatore di calore (gpmma) <i>Heat exchanger, connection (rubber)</i> 1x / 164 (DC16)	1466383	 
26413.23 Attacco scambiatore di calore (gpmma) <i>Heat exchanger, connection (rubber)</i> 1x / 164 (DC16)	1509813	 
26417.00 Attacco succhieruola a pompa olio <i>Oil pump, connection to suction strainer</i> 1x / 144	1103352	 
26417.05 Gommino tubazione aspirazione pompa olio <i>Oil pump, piping (rubber washer)</i> 2x / 94 / Bus (DSC9-DC9 01/02/03/04/05/06) 2x / 114 / Bus (DC11) 2x / 124 / Bus	381235	 
26420.05 Attacco filtro olio (gomma) <i>Oil filter, connection (rubber)</i> 1x / 94 / Bus (DC 19/20/21) 1x / 114 / Bus (DC11) 1x / 124 / Bus 1x / P-, R-, T- Series (D9/11/12)	1479872	 
26420.10 Attacco laterale filtro olio (gomma) <i>Oil filter, lateral connection (rubber)</i> 1x / 94 / Bus (DC9 19/20/21) 1x / 114 / Bus (DC11) 1x / 124 / Bus 1x / P-, R-, T- Series (D9/11/12)	1496381	 

LE.MA ref.	adattabile a suitable for	Illustrazione / Illustration
26420.15 Attacco filtro olio <i>Oil filter, connection</i> 1x / 94 / Bus (DSC9-DC9 01/02/03/04/05/06)	1541419	 
26420.20 Attacco corpo rotore a basamento (laterale) <i>Oil cleaner, rotor connection (lateral)</i> 1x / 94 / Bus (DSC9-DC9 01/02/03/04/05/06)	1332089	 
26420.23 Attacco filtro olio (gomma) <i>Oil filter, connection (rubber)</i> 1x / 164 (DC16)	1466382	 
26424.00 Attacco scambiatore di calore <i>Heat exchanger, connection</i> 1x / 94 / Bus (DSC9-DC9 01/02/03/04/05/06)	1391727	 
26424.05 Attacco scambiatore di calore a filtro olio <i>Heat exchanger, oil filter connection</i> 1x / 114 (DSC11)	1388684	 
26424.15 Attacco laterale scambiatore di calore <i>Heat exchanger, lateral connection</i> 1x / 94 / Bus (DSC9-DC9 01/02/03/04/05/06)	1391728	 
26424.20 Attacco laterale scambiatore di calore <i>Heat exchanger, lateral connection</i> 1x / 94 / Bus (DSC9-DC9 01/02/03/04/05/06)	1391729	 

94.....(Mot. DSC9-DSI9-DC9)
 114..... (Mot. DC11-DSC11)
 124.....(Mot. DSC12-DTC12-DC12-DT12)
 144..... (Mot. DSC14 13/15-DTC14)
 164..... (Mot. DC16)

P-, R-, T- Series.....(Mot. D9-D11-D12-D16)
 Bus K94-L94-N94 (Mot. DSC9-DSI9-DC9)
 Bus K114..... (Mot. DC11)
 Bus K124..... (Mot. DSC12-DTC12-DC12-DT12)

LE.MA ref.	adattabile a suitable for	Illustrazione / Illustration	LE.MA ref.	adattabile a suitable for	Illustrazione / Illustration
26430.00 Attacco pompa olio <i>Oil pump, connection</i> 1x / 144	371497		30710.00 Coperchio laterale presa di forza <i>Power take-off, lateral cover</i> G770-GS770-GS771-GS772-G776-G777 GR/GRE870-GR871-GRE871 GR880-GRH880 1x / 4-Series	164061	
26430.05 Attacco pompa olio <i>Oil pump, connection</i> 1x / 94 / Bus (DC9 19/20/21) 1x / 114 / Bus (DC11) 1x / 124 / Bus 1x / P-, R-, T- Series (D9/11/12)	1351692		30710.05 Coperchio laterale presa di forza <i>Power take-off, lateral cover</i> GR801-GRS890-GRS890R GR900/R-GRH900-GRS900-GRS900R 1x / 4-Series 1x / P-, R-, T- Series 1x / Bus 4-Series	1302556	
26430.10 Attacco succhieruola <i>Suction strainer, connection</i> 1x / 114 / Bus (DSC11)	369229		30712.00 Attacco laterale presa di forza <i>Power take-off, lateral connection</i> G770-GS770-GS771-GS772-G776-G777 GR/GRE870-GR871-GRE871 GR880-GRH880 1x / 4-Series	387313	
26431.00 Rondella tappo scarico olio dalla coppa (ferro/gomma) <i>Oil pan, gasket for drain plug (iron/rubber)</i> 1x / 4-Series 1x / P-, R-, T- Series 1x / Bus 4-Series	1439814		30712.05 Attacco laterale presa di forza <i>Power take-off, lateral connection</i> GR801-GRS890-GRS890R GR900/R-GRH900-GRS900-GRS900R 1x / 4-Series 1x / P-, R-, T- Series 1x / Bus 4-Series	1305139	
STERZO / STEERING			30715.00 Coperchio supporto paraolio posteriore cambio <i>Gearbox, cover for rear oil seal support</i> GR871-GRE871-GR880-GRH880 1x / 4-Series	387302	
29261.20 Attacco pompa servosterzo <i>Power steering, fastening</i> 1x / 124 / Bus	1467988		30720.00 Coperchio superiore cambio <i>Gearbox, upper cover</i> G770-GS770-GS771-GS772-G776-G777 GR/GRE870-GR871-GRE871 GR880-GRH880 1x / 4-Series	387314	
CAMBIO / GEARBOX			30705.00 Coperchio posteriore cambio <i>Gearbox, rear cover</i> GR880-GRH880 1x / 4-Series	387300	
30700.00 Coperchio anteriore cambio <i>Gearbox, front cover</i> G770-GS770-GS771-GS772-GR/GRE870 GR871-GRE871-GR880-GRH880 1x / 4-Series 1x / P-, R-, T- Series	1535698		30720.05 Coperchio superiore cambio <i>Gearbox, upper cover</i> GRS890-GRS890R GR900/R-GRH900-GRS900-GRS900R 1x / 4-Series 1x / P-, R-, T- Series 1x / Bus 4-Series	1527743	

Tutti i nostri particolari non sono originali ma essi intercambiabili. I riferimenti originali, le figure, i modelli sono esposti a semplice titolo indicativo. All original equipment manufacturer numbers, pictures, models and descriptions used in this catalogue are for reference only, and it isn't implied that any parts listed is the product of these manufacturers.

PART 2 ❖ ALTRE GUARNIZIONI / MISCELLANEOUS GASKETS



94.....(Mot. DSC9-DSI9-DC9)
 114..... (Mot. DC11-DSC11)
 124.....(Mot. DSC12-DTC12-DC12-DT12)
 144..... (Mot. DSC14 13/15-DTC14)
 164..... (Mot. DC16)

P-, R-, T- Series..... (Mot. D9-D11-D12-D16)
 Bus K94-L94-N94 (Mot. DSC9-DSI9-DC9)
 Bus K114..... (Mot. DC11)
 Bus K124..... (Mot. DSC12-DTC12-DC12-DT12)





























SCANIA

LE.MA ref.	adattabile a suitable for	Illustrazione / Illustration
30720.07 Coperchio superiore cambio <i>Gearbox, upper cover</i> GR801 1x / 4-Series 1x / P-, R-, T- Series 1x / Bus 4-Series	1549495	
30725.00 Coperchio anteriore cambio <i>Gearbox, front cover</i> G770 CAG-GS770 CAG-GS776 CAG 1x / 4-Series	387320	
30730.00 Coperchio superiore selettore cambio <i>Gearbox, selector upper cover</i> G770-GS770-GS771-GS772-G776-G777 GR/GRE870-GR871-GRE871 GR880-GRH880 1x / 4-Series	387312	
30730.05 Coperchio superiore selettore cambio <i>Gearbox, selector upper cover</i> GR801-GRS890-GRS890R GR900/R-GRH900-GRS900-GRS900R 1x / 4-Series 1x / P-, R-, T- Series 1x / Bus 4-Series	1511471	
30735.00 Coperchio superiore molla compressione <i>Gearbox, compression spring upper cover</i> G770-GS770-GS771-GS772-G776-G777 GR/GRE870-GR871-GRE871 GR880-GRH880 1x / 4-Series	387296	
30740.00 Supporto paraolio posteriore cambio <i>Gearbox, cover for rear oil seal support</i> GS771-GS772 1x / 4-Series	387311	
30950.05 Gommino a V entrata cambio (1°T) <i>Gearbox input, rubber V-seal (1°T)</i> GR801/R-GRS890/R-GR/GRS/GRSH900/R GRH900-GRS920/R 1x / 4-Series 1x / P-, R-, T- Series 1x / Bus 4-Series	378613	

LE.MA ref.	adattabile a suitable for	Illustrazione / Illustration
ASSALI / WHEELS		
31017.10 Differenziale <i>Differential</i> R780 4-Series P-, R-, T- Series	1528899	
31650.00 Mozzo ruote posteriori <i>Rear wheels, hubs</i> AD1300-ADA1300- S900-ASA1000 2x / 4-Series 2x / P-, R-, T- Series 2x / Bus 4-Series	120310	
O-RINGS		
104187 OR cambio <i>O-ring, gearbox</i> GR801/R-GRS890/R-GRS900/R GRSO/GRSH900/R-GR/GRS920/R 1x / 4-Series 1x / P-, R-, T- Series 1x / Bus 4-Series	804660	
104190 OR supporto filtro olio <i>O-ring, oil filter support</i> 2x / 144 OR radiatore olio cambio <i>O-ring, oil cooler for gearbox</i> 2x / 164	348993	
104270 OR corpo termostato <i>O-ring, thermostat</i> 1x / 144	810970	
104390 Attacco tubazione sfiato motore (1°T) <i>Engine vent, pipe connection (1°T)</i> 2x / 114 / Bus - 124 / Bus	804670	
104650 OR per perno fuso <i>O-ring, kin pin</i> 1x / 4-Series 1x / Bus 4-Series	811045	

Tutti i nostri particolari non sono originali ma con essi intercambiabili. I riferimenti originali, le figure, i modelli sono esposti a semplice titolo indicativo. All original equipment manufacturer numbers, pictures, models and descriptions used in this catalogue are for reference only, and it isn't implied that any parts listed is the product of these manufacturers.

94.....(Mot. DSC9-DSI9-DC9)	P-, R-, T- Series.....(Mot. D9-D11-D12-D16)
114.....(Mot. DC11-DSC11)	
124.....(Mot. DSC12-DTC12-DC12-DT12)	Bus K94-L94-N94(Mot. DSC9-DSI9-DC9)
144.....(Mot. DSC14 13/15-DTC14)	Bus K114.....(Mot. DC11)
164.....(Mot. DC16)	Bus K124.....(Mot. DSC12-DTC12-DC12-DT12)

LE.MA ref.	adattabile a suitable for	Illustrazione / Illustration	LE.MA ref.	adattabile a suitable for	Illustrazione / Illustration
105280 OR scambiatore di calore <i>O-ring, heat exchanger</i> 2x / 114 / Bus	323451	 	120820 OR pompa olio (viton) <i>O-ring, oil pump (FPM)</i> 1x / 94 / Bus (DSC9-DC9 01/02/03/04/05/06) 1x / 114 / Bus (DSC11)	392653	 
105295 OR inferiore rotore depuratore olio <i>O-ring, centrifugal oil cleaner, rotor (lower)</i> 1x / 94 / Bus (DSC9-DC9 01/02/03/04/05/06) 1x / 114 / Bus (DC11 1°T-DSC11) 1x / 124 / Bus (DSC12-DC12 01/02/03/09-DT12) 1x / 144 - 164 1x / P-, R-, T- Series (D16)	1769798	 	122805 OR filtro acqua (viton) <i>O-ring, water filter (FPM)</i> 1x / 94 / Bus 1x / 114 / Bus 1x / 124 / Bus 1x / 144	804655	 
105310 OR inferiore rotore depuratore olio <i>O-ring, centrifugal oil cleaner, rotor (lower)</i> 1x / 94 / Bus (DC9 19/20/21) 1x / 114 / Bus (DC11 2°T) 1x / 124 / Bus (D12) 1x / P-, R-, T- Series (D9/11/12)	1769800	 	122950 OR superiore canna cilindro (viton) <i>O-ring, cylinder liner, upper (FPM)</i> 6x / 94 / Bus (DC9 19/20/21) 6x / 114 / Bus (DC11) 6x / 124 / Bus 8x / 164 6-8x / P-, R-, T- Series	1433063	 
105335 OR superiore rotore depuratore olio <i>O-ring, centrifugal oil cleaner, rotor (upper)</i> 1x / 4-Series 1x / Bus 4-Series 1x / P-, R-, T- Series	1729799	 	123020 OR coperchio filtro olio (viton) <i>O-ring, oil filter cover (FPM)</i> 1x / 4-Series 1x / P-, R-, T- Series 1x / Bus 4-Series	372983	 
108095 OR coperchio distribuzione <i>O-ring, timing system cover</i> 1x / 114 / Bus (DSC11)	804733	 	124190 OR pompa olio (viton) <i>O-ring, oil pump (FPM)</i> 1x / 144	392651	 
114590 OR tubazione intercooler (viton) <i>O-ring, intercooler piping (FPM)</i> 2x / 4-Series 2x / Bus 4-Series	1373126	 	124210 OR tubazione sfiato vapori olio (viton) <i>O-ring, engine vent, oil piping (FPM)</i> 1x / 144	1357642	 
120816 OR iniettori (viton) <i>O-ring, injectors (FPM)</i> 6x / 94 / Bus (DC9 01/02/03/04/05/06) 6x / 114 / Bus (DC11) 18x / 124 / Bus	1340615	 	124210 OR base depuratore olio (viton) <i>O-ring, oil cleaner base (FPM)</i> 1x / 144	1357642	 

Tutti i nostri particolari non sono originali ma con essi intercambiabili. I riferimenti originali, le figure, i modelli sono esposti a semplice titolo indicativo.
 All original equipment manufacturer numbers, pictures, models and descriptions used in this catalogue are for reference only, and it isn't implied that any parts listed is the product of these manufacturers.

PART 2 ❖ ALTRE GUARNIZIONI / MISCELLANEOUS GASKETS































94.....(Mot. DSC9-DSI9-DC9)
114..... (Mot. DC11-DSC11)
124.....(Mot. DSC12-DTC12-DC12-DT12)
144..... (Mot. DSC14 13/15-DTC14)
164..... (Mot. DC16)

P-, R-, T- Series..... (Mot. D9-D11-D12-D16)
Bus K94-L94-N94 (Mot. DSC9-DSI9-DC9)
Bus K114..... (Mot. DC11)
Bus K124..... (Mot. DSC12-DTC12-DC12-DT12)

SCANIA

Tutti i nostri particolari non sono originali ma con essi intercambiabili. I riferimenti originali, le figure, i modelli sono esposti a semplice titolo indicativo. All original equipment manufacturer numbers, pictures, models and descriptions used in this catalogue are for reference only, and it isn't implied that any parts listed is the product of these manufacturers.















LE.MA ref.	adattabile a suitable for	Illustrazione / Illustration
124230 OR superiore interno ciclone / *Tubaz. aspirazione olio (viton) <i>O-ring, centrifugal oil cleaner, cyclone upper side / *Oil pump pipes (FPM)</i> 1x / 94 / Bus (DSC9-DC9 01/02/03/04/05/06) 1x / 114 / Bus (DSC11) *2x / 94 / Bus (DC9 19/20/21) *1x / P-, R-, T- Series (D9)	197800	 
124255 OR tubazione aspirazione olio / *Tubazione sfiato motore(viton) <i>O-ring, oil pump pipes / *Engine vent piping (FPM)</i> 1x / * 114 / Bus (DC11) - 124 / Bus 1x / 144 - 164 1x / P-, R-, T- Series (D11/12/16)	349419	 
124292 OR scambiatore di calore (viton) <i>O-ring, heat exchanger (FPM)</i> 4x / 144 OR presa di forza (viton) <i>O-ring, power take-off (FPM)</i> 1x / P-, R-, T- Series	353158	 
124380 OR base depuratore olio (viton) <i>O-ring, oil cleaner base (FPM)</i> 2x / 144	1357643	 
124470 OR servosterzo (viton) <i>O-ring, power steering (FPM)</i> 1x / 4-Series 1x / P-, R-, T- Series 1x / Bus 4-Series	804710	 
124505 OR inferiore interno ciclone (viton) <i>O-ring, centrifugal oil cleaner, cyclone lower side (FPM)</i> 1x / 114 - 144	332119	 
124530 OR pompa olio servosterzo (viton) <i>O-ring, power steering oil pump (FPM)</i> 1x / 4-Series 1x / P-, R-, T- Series 1x / Bus 4-Series	368035	 















LE.MA ref.	adattabile a suitable for	Illustrazione / Illustration
124585 OR bilanciere assale di supporto (viton) <i>O-ring, tag axle, balancer shaft (FPM)</i> Assale/Axle AS900 2x / 4-Series 2x / P-, R-, T- Series	804714	 
124625 OR attacco collettore aspirazione a tubazione intercooler (viton) <i>O-ring, from intercooler pipe to intake manifold (FPM)</i> 1x / 94 / Bus (DSC9-DC9 01/02/03/04/05/06)	368030	 
124675 OR collettori aspirazione (viton) <i>O-ring, intake manifolds (FPM)</i> 1x / 144	392652	 
124710 OR presa di forza (viton) <i>O-ring, power take-off (FPM)</i> 1x / 94 / Bus (DSC9-DC9 01/02/03/04/05/06)	368031	 
124745 OR supporto anteriore motore (viton) <i>O-ring, engine mounting, front (FPM)</i> 1x / 144	368032	 
124780 OR scambiatore di calore (viton) <i>O-ring, heat exchanger (FPM)</i> 2x / 94 / Bus (DSC9-DC9 01/02/03/04/05/06)	321992	 
124830 OR attacco compressore <i>O-ring, air compressor</i> 1x / 4-Series 1x / P-, R-, T- Series 1x / Bus 4-Series	323790	 

94.....(Mot. DSC9-DSI9-DC9)
 114..... (Mot. DC11-DSC11)
 124.....(Mot. DSC12-DTC12-DC12-DT12)
 144..... (Mot. DSC14 13/15-DTC14)
 164..... (Mot. DC16)

P-, R-, T- Series.....(Mot. D9-D11-D12-D16)
 Bus K94-L94-N94 (Mot. DSC9-DSI9-DC9)
 Bus K114..... (Mot. DC11)
 Bus K124..... (Mot. DSC12-DTC12-DC12-DT12)

SCANIA

LE.MA ref.	adattabile a suitable for	Illustrazione / Illustration
124975 OR pompa iniezione (viton) <i>O-ring, injection pump (FPM)</i> 1x / 114 / Bus - 124 / Bus	1332328	 
126240 OR sfiato motore / Pompa olio (viton) <i>O-ring, engine vent / oil pump (FPM)</i> 1+1x / 164 1+1x / P-, R-, T- Series (D16) OR rallentatore (viton) <i>O-ring, retarder (FPM)</i> 1x / Bus 4-Series	750226	 
126627 OR inferiore canna cilindro (viton verde) <i>O-ring, cylinder liner, lower (Green FPM)</i> 12x / 94 / Bus (DSC9-DC9 01/02/03/04/05/06)	323662	 
126677 OR inferiore canna cilindro (viton verde) <i>O-ring, cylinder liner, lower (Green FPM)</i> 12x / 114 / Bus (DSC11) 16x / 144	1312934	 
126730 OR inferiore canna cilindro (viton verde) <i>O-ring, cylinder liner, lower (Green FPM)</i> 6x / 94 / Bus (DC9 19/20/21) 6x / 114 / Bus (DC11) - 124 / Bus 8x / 164 6-8x / P-, R-, T- Series	1328995	 
126820 OR freni ruote anteriori/posteriori (viton) <i>O-ring, front/rear wheel brakes shoes (FPM)</i> 8x / 4-Series 8x / Bus 4-Series 8x / P-, R-, T- Series	1338019	 
128055 OR rallentatore (viton) <i>O-ring, retarder (FPM)</i> 1x / 4-Series 1x / P-, R-, T- Series 1x / Bus 4-Series	1349018	 

LE.MA ref.	adattabile a suitable for	Illustrazione / Illustration
RONDELLE / WASHERS		
RA243810 Rondella alluminio tappo scarico coppa olio <i>Aluminium washer, oil pan drain plug</i> 1x / 4-Series	165286	 
RR081210 Rondella rame portainiettori <i>Copper washer, nozzle holder</i> 12x / 94 / Bus (DSC9 - DC9 01/02/03/04/05/06) 8x / 144	812411	 
RR101410 Rondella alluminio <i>Aluminium washer</i> 94 / Bus - 114 / Bus 1x / P-, R-, T- Series	812412	 
RR092020 Rondella rame portainiettori <i>Copper washer, nozzle holder</i> 6x / 94 / Bus - 114 / Bus - 124 / Bus 8x / 144 6-8x / P-, R-, T- Series	1421424	 
RR141815 Rondella rame <i>Copper washer</i> 4-Series P-, R-, T- Series Bus 4-Series	812414	 
RR142015 Rondella rame ciclone <i>Copper washer, centrifugal system</i> 1x / 94 / Bus (DSC9-DC9 01/02/03/04/05/06) 1x / 114 / Bus	303098	 
RR162015 Rondella rame <i>Copper washer</i> 4-Series P-, R-, T- Series Bus 4-Series	812415	 

Tutti i nostri particolari non sono originali ma con essi intercambiabili. I riferimenti originali, le figure, i modelli sono esposti a semplice titolo indicativo. All original equipment manufacturer numbers, pictures and descriptions used in this catalogue are for reference only, and it isn't implied that any parts listed is the product of these manufacturers.

PART 2 ❖ ALTRE GUARNIZIONI / MISCELLANEOUS GASKETS











94.....(Mot. DSC9-DSI9-DC9)
 114..... (Mot. DC11-DSC11)
 124.....(Mot. DSC12-DTC12-DC12-DT12)
 144..... (Mot. DSC14 13/15-DTC14)
 164..... (Mot. DC16)

P-, R-, T- Series..... (Mot. D9-D11-D12-D16)
 Bus K94-L94-N94 (Mot. DSC9-DSI9-DC9)
 Bus K114..... (Mot. DC11)
 Bus K124..... (Mot. DSC12-DTC12-DC12-DT12)

SCANIA

Tutti i nostri particolari non sono originali ma con essi intercambiabili. I riferimenti originali, le figure, i modelli sono esposti a semplice titolo indicativo. All original equipment manufacturer numbers, pictures, models and descriptions used in this catalogue are for reference only, and it isn't implied that any parts listed is the product of these manufacturers.

LE.MA ref.	adattabile a suitable for	Illustrazione / Illustration
RR182215 Rondella rame Copper washer 2x / 114 / Bus 4x / 124 / Bus P-, R-, T- Series	812416	 
RR202415 Rondella rame Copper washer 94 / Bus - 114 / Bus 144 P-, R-, T- Series	812417	 
RR222815 Rondella rame Copper washer 94 / Bus - 114 / Bus - 124 / Bus 144 P-, R-, T- Series	812418	 
RK162620 Rondella ferro verniciato per bilancieri Painted iron washer, valves cover 16x / 144	1103519	 

LE.MA ref.	adattabile a suitable for	Illustrazione / Illustration