

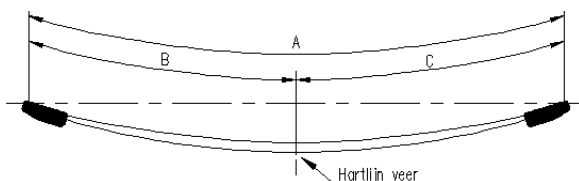


<b>Merk</b>	<b>OE-nummer</b>	<b>Artikelnummer</b>	<b>Groep</b>	<b>Artikelnr versterking</b>
IVECO	500340499	F011T349ZA70	DAILY	FK011T349ZB
IVECO	500377686	F011T352ZA75	DAILY	FK011T352ZB
IVECO	500377686	F011T352ZA75	DAILY	FK011T352ZC
IVECO	500377686	F011T352ZA75	DAILY	FK011T352ZD
IVECO	500377686	F011T352ZA75	DAILY	FK011T352ZE
IVECO	500377686	F011T352ZA75	DAILY	FK011T352ZF
IVECO	500377686	F011T352ZA75	DAILY	FK011T352ZG
IVECO	500377686	F011T352ZA75	DAILY	FK011T352ZH
IVECO	500389151	F011T410ZA75	DAILY	FK011T352ZB
IVECO	500389151	F011T410ZA75	DAILY	FK011T352ZC
IVECO	500389151	F011T410ZA75	DAILY	FK011T352ZD
IVECO	500389151	F011T410ZA75	DAILY	FK011T352ZE
IVECO	504054605	F011T418ZA75	DAILY	FK011T352ZB
IVECO	504054605	F011T418ZA75	DAILY	FK011T352ZC
IVECO	504054605	F011T418ZA75	DAILY	FK011T352ZD
IVECO	504054605	F011T418ZA75	DAILY	FK011T352ZE
IVECO	504083608	F011T478ZA75	DAILY	FK011T478ZB

**SERIE : DAILY**

**voor-avant-front-Vorne**

VEER RESSORT SPRING FEDER	BR LRG WID BR	BLADEN LAMES LEAVES BLATT.	B	C	D1	D2	PH FL FA SP	PAK EP TH PAK	DETAIL	MOD	OPMERKINGEN REMARKES BEMERKUNGEN
F011T349ZA70	80	1	682	682	--	--	90	20	1/20	F08T1	transversal



Kit : FK011T349ZB

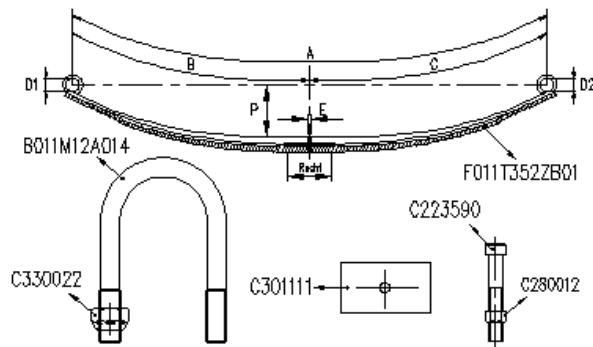
Composition :

F011T349ZB70 2

**SERIE : DAILY**

**achter-arrière-rear-Hinten**

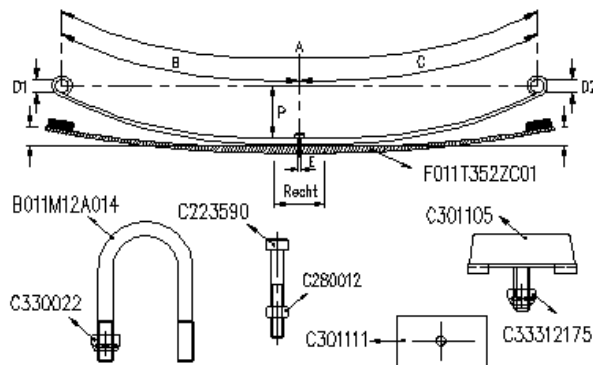
VEER RESSORT SPRING FEDER	BR LRG WID BR	BLADEN LAMES LEAVES BLATT.	B	C	D1	D2	PH FL FA SP	PAK EP TH PAK	DETAIL	MOD	OPMERKINGEN REMARQUES REMARKS BEMERKUNGEN
F011T352ZA75	80	1	750	750	S16	S16	155	23	1/23	F01	



**Kit : FK011T352ZB**

Composition :

C223590	2
C280012	2
C301111	2
C330022	8
F011T352ZB01	2
B011M12A014	4

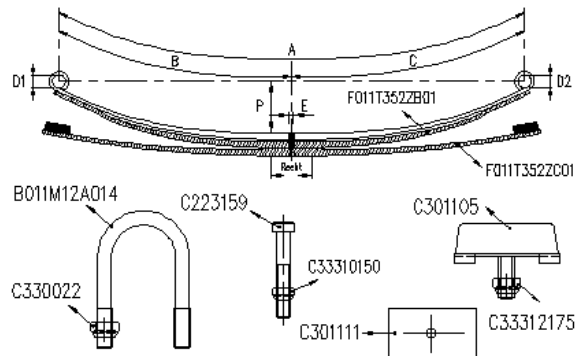


**Kit : FK011T352ZC**

Composition :

C280012	2
C33312175	4
C330022	8
C301105	4
F011T352ZC01	2
C223590	2
B011M12A014	4
C301111	2

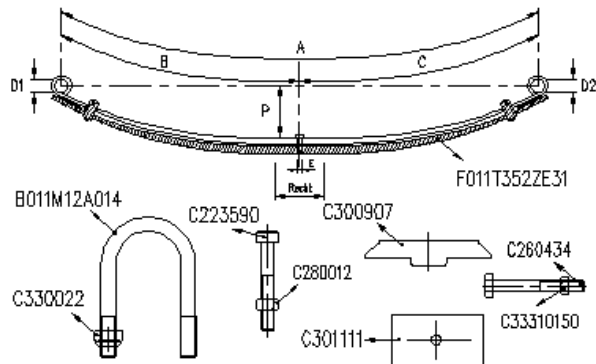
**SERIE : DAILY**



**Kit : FK011T352ZD**

Composition :

C33310150	2
F011T352ZC01	2
F011T352ZB01	2
C33312175	4
C330022	8
C301111	4
C301105	4
B011M12A014	4
C223159	2



**Kit : FK011T352ZE**

Composition :

C301111	2
C33310150	4
F011T352ZE31	2
C330022	8
C280012	2
B011M12A014	4
C260434	4
C223590	2
C300907	4

**SERIE : DAILY**

**Kit : FK011T352ZF**

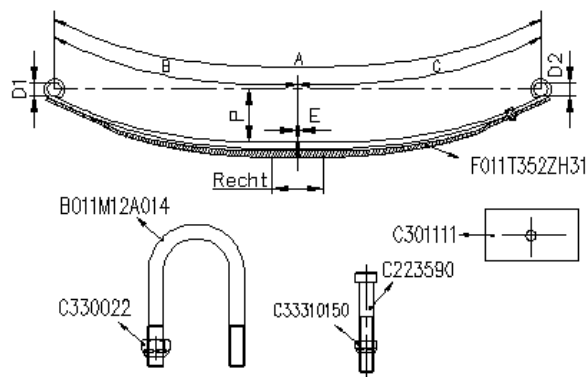
Composition :

C223590	2
C300907	4
C301111	2
C330022	2
C33310150	2
F011T352ZF31	2
B011M12A014	4

**Kit : FK011T352ZG**

Composition :

C33310150	2
F011T352ZG31	2
C330022	8
C300907	4
C223590	2
B011M12A014	4
C301111	2



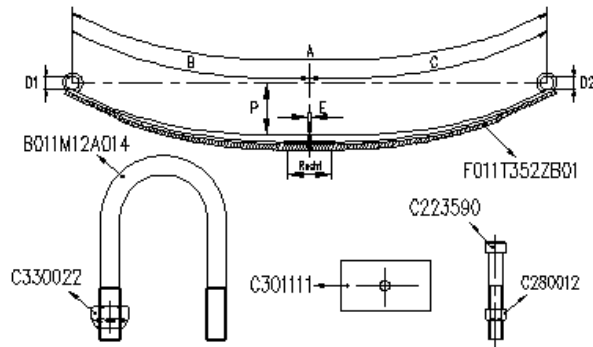
**Kit : FK011T352ZH**

Composition :

F011T352ZH31	2
C223590	2
C301111	2
C330022	8
C33310150	2
B011M12A014	4

**SERIE : DAILY**

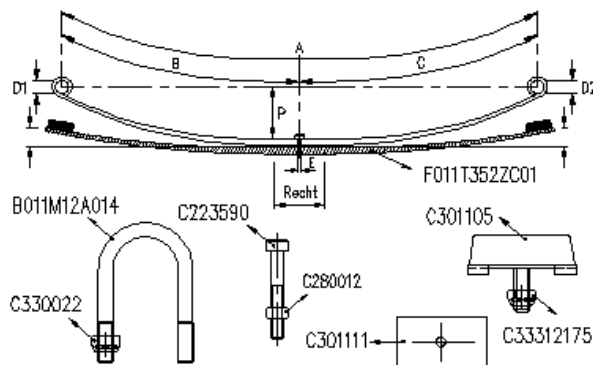
VEER RESSORT SPRING FEDER	BR LRG WID BR	BLADEN LAMES LEAVES BLATT.	B	C	D1	D2	PH FL FA SP	PAK EP TH PAK	DETAIL	MOD	OPMERKINGEN REMARQUES REMARKS BEMERKUNGEN
F011T410ZA75	80	1	750	750	S16	S16	150	24	1/24	F01	



**Kit : FK011T352ZB**

Composition :

F011T352ZB01	2
C330022	8
C301111	2
C280012	2
B011M12A014	4
C223590	2

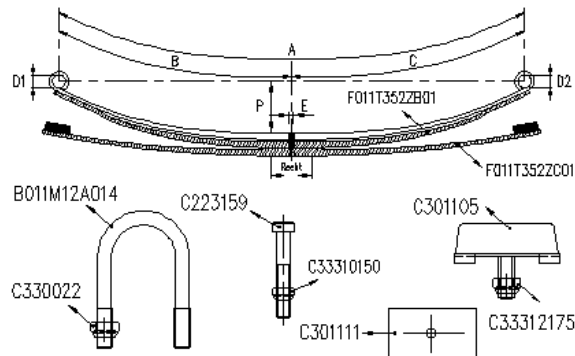


**Kit : FK011T352ZC**

Composition :

B011M12A014	4
C223590	2
C301111	2
C330022	8
C33312175	4
F011T352ZC01	2
C301105	4
C280012	2

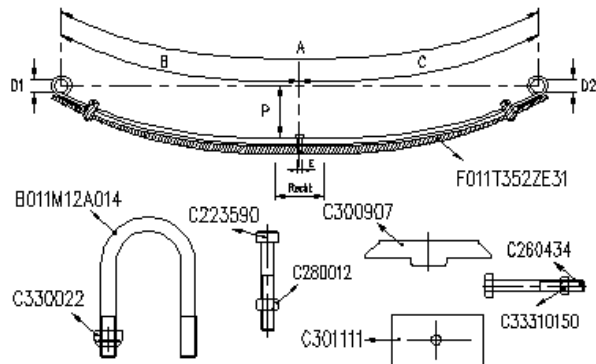
**SERIE : DAILY**



**Kit : FK011T352ZD**

Composition :

C330022	8
F011T352ZC01	2
F011T352ZB01	2
C33310150	2
C301111	4
C301105	4
C223159	2
B011M12A014	4
C33312175	4



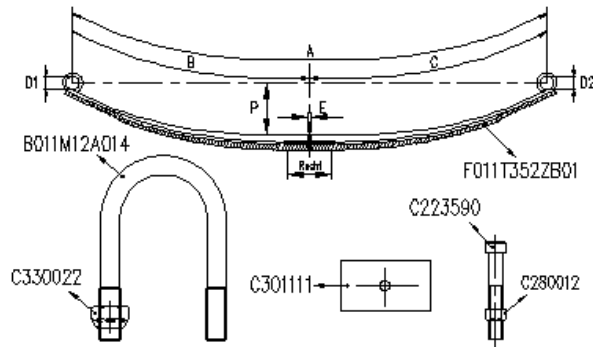
**Kit : FK011T352ZE**

Composition :

C260434	4
C330022	8
F011T352ZE31	2
C33310150	4
C301111	2
C280012	2
C223590	2
B011M12A014	4
C300907	4

**SERIE : DAILY**

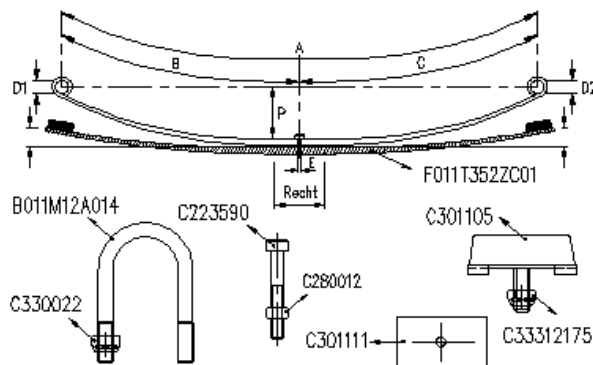
VEER RESSORT SPRING FEDER	BR LRG WID BR	BLADEN LAMES LEAVES BLATT.	B	C	D1	D2	PH FL FA SP	PAK EP TH PAK	DETAIL	MOD	OPMERKINGEN REMARQUES REMARKS BEMERKUNGEN
F011T418ZA75	80	1	750	750	N16	N16	137	24	1/24	F01	



**Kit : FK011T352ZB**

Composition :

B011M12A014	4
C223590	2
C280012	2
C301111	2
C330022	8
F011T352ZB01	2



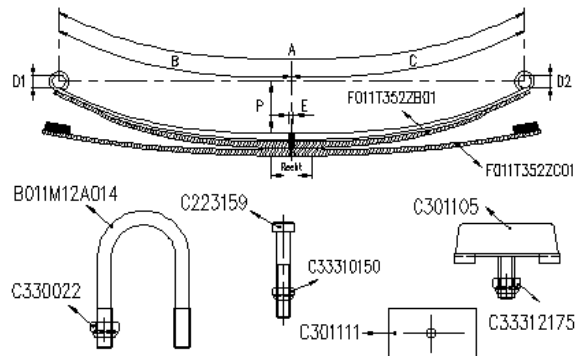
**Kit : FK011T352ZC**

Composition :

C330022	8
C223590	2
F011T352ZC01	2
C33312175	4
C280012	2
B011M12A014	4
C301105	4
C301111	2



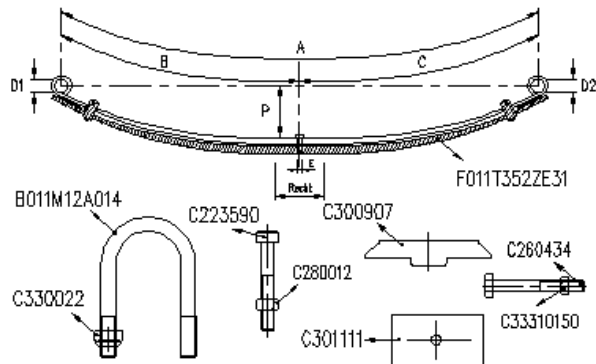
**SERIE : DAILY**



**Kit : FK011T352ZD**

Composition :

C330022	8
F011T352ZC01	2
F011T352ZB01	2
C33310150	2
C301111	4
C301105	4
C223159	2
B011M12A014	4
C33312175	4



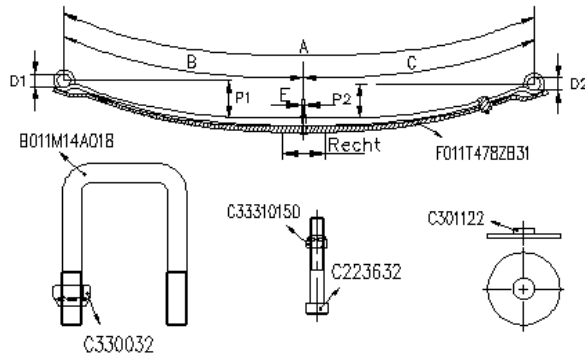
**Kit : FK011T352ZE**

Composition :

C223590	2
C330022	8
F011T352ZE31	2
C33310150	4
C301111	2
C300907	4
C260434	4
B011M12A014	4
C280012	2

**SERIE : DAILY**

VEER RESSORT SPRING FEDER	BR LRG WID BR	BLADEN LAMES LEAVES BLATT.	B	C	D1	D2	PH FL FA SP	PAK EP TH PAK	DETAIL	MOD	OPMERKINGEN REMARQUES REMARKS BEMERKUNGEN
F011T478ZA75	80	1	750	720	N16	N16	108	24	1/24	F01.70	



**Kit : FK011T478ZB**

Composition :

B061M16A102	4
C223632	2
C301122	4
C330032	8
C33310150	2
F011T478ZB31	2